

METAMORPHOSIS LIGHTING DESIGN
MAGIC SHEET

DESIGN BY RON COLLINS

TUCKER THEATRE, MTSU THEATRE

VARILITE 2500 SPOTS:

401-402

MAC 101 RGB:

501-505

PIXEL LINES:

601-604

INTELLIGENT FIXTURES

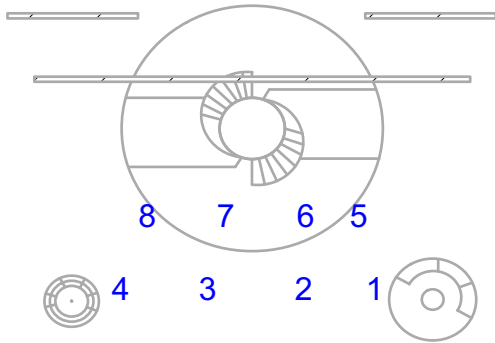
604 603 602 601

505 504 501

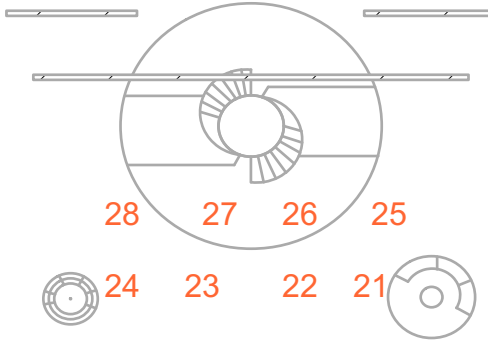
503 502 501

402 401

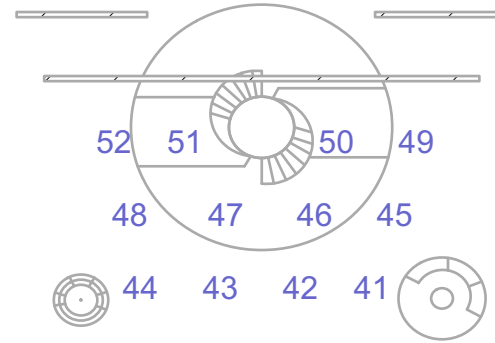
COOL FRONT



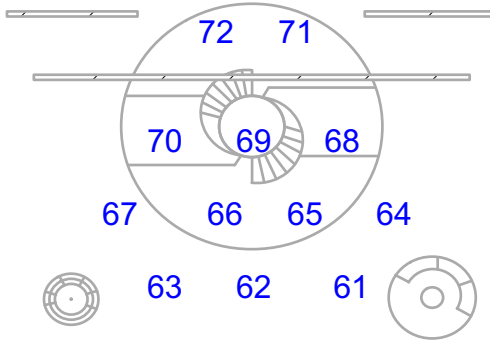
WARM FRONT



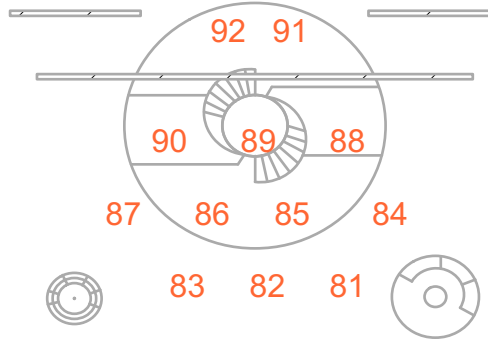
NEUTRAL FRONT



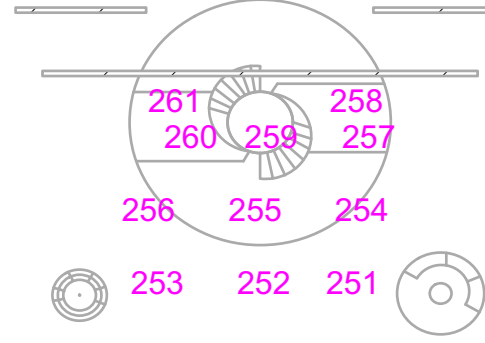
COOL DOWN PAR



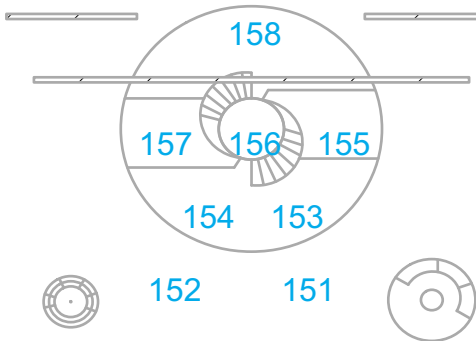
WARM DOWN PAR



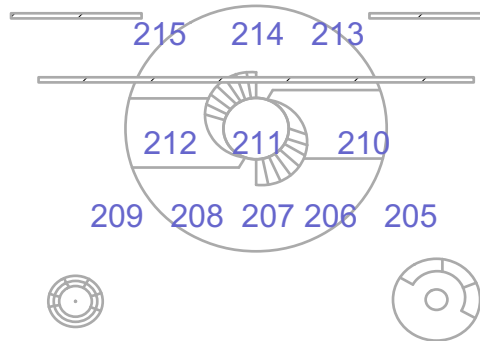
DOWN SPECIALS



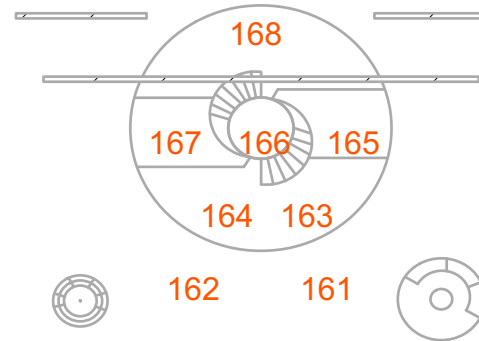
BACK DIAG COOL



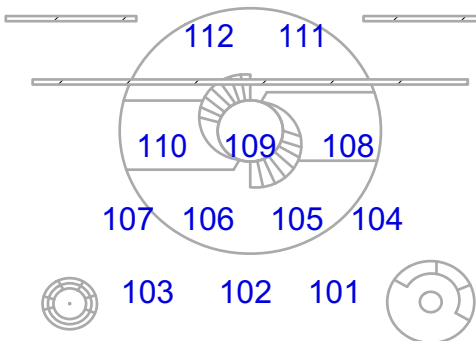
BACK LED



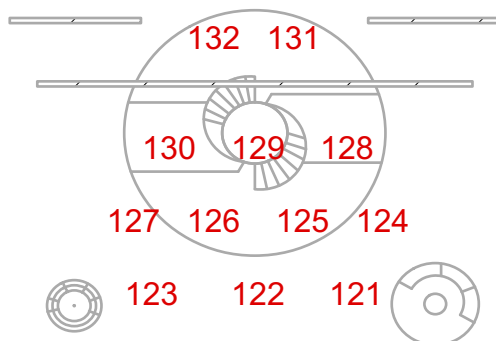
BACK DIAG WARM



COOL HS -->



WARM HS <--



S4 LED W/ROTATOR

